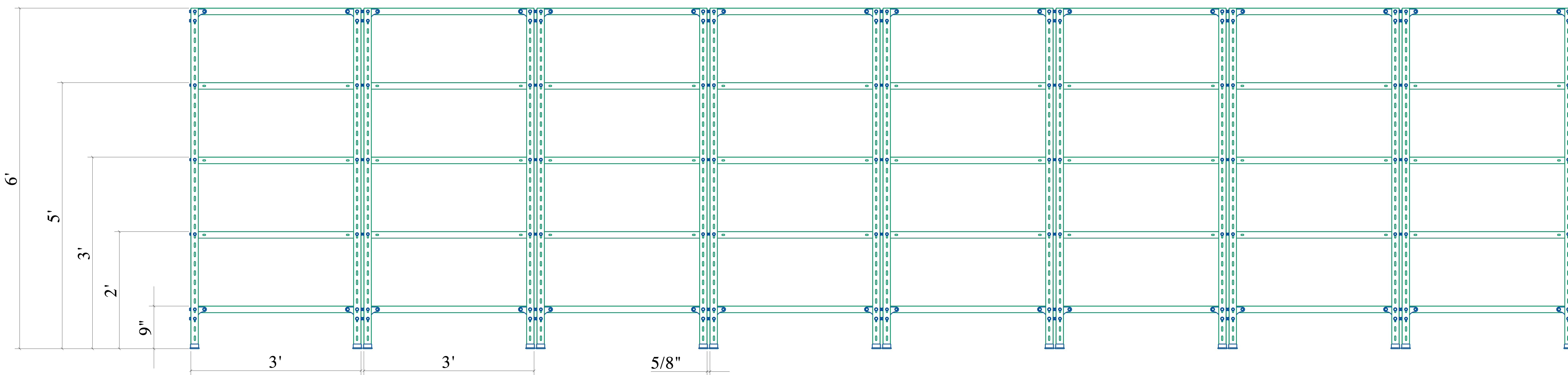
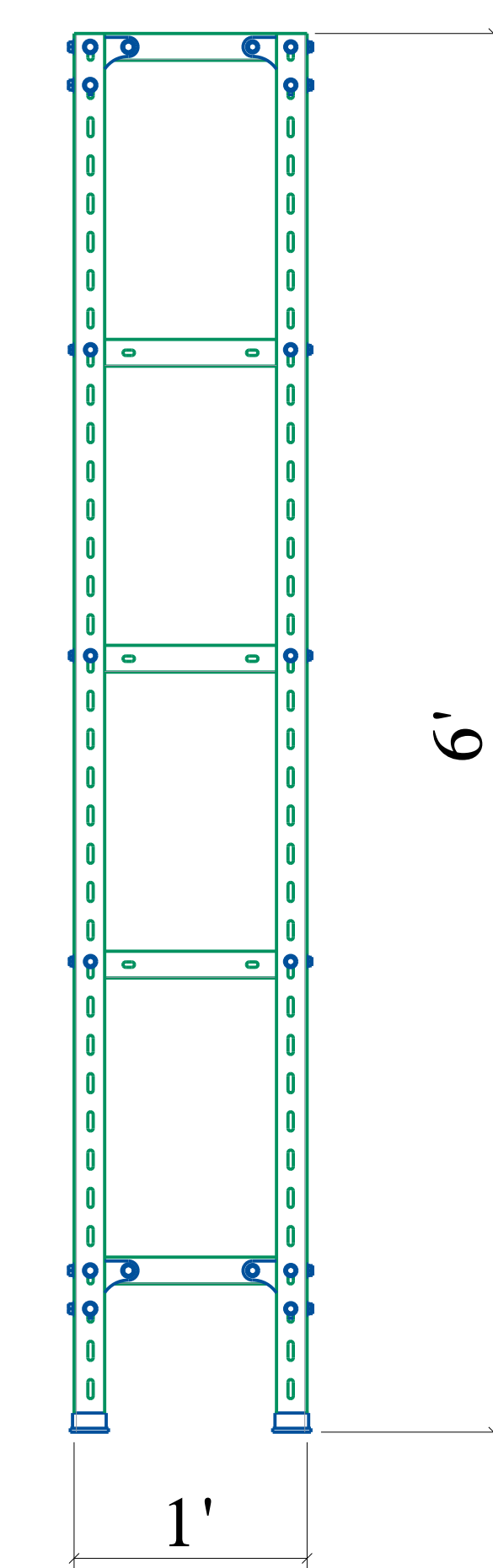


TOP VIEW



ELEVATION DETAIL




SIDE VIEW

NOTE: ALL DIMENSION ARE IN FEET
ALL SHARPE EDGE R-2 FILLET

COATING TYPE	RACK DEPTH	RACK WIDTH	RACK HEIGHT	WALL THICKNESS	NO. OF LEVELS	LOAD CAPACITY	FINISH
Powder Coating	1' TO 2'	2' TO 4'	6' TO 8'	14 SWG TO 10 SWG	3 TO 6	100 TO 120 KG / LEVEL	1. PILLAR: GREY COLOR
							2. BEAM: NOT APPLICABLE
							3. SHELF: GALVANIZED

SUPPLIER:

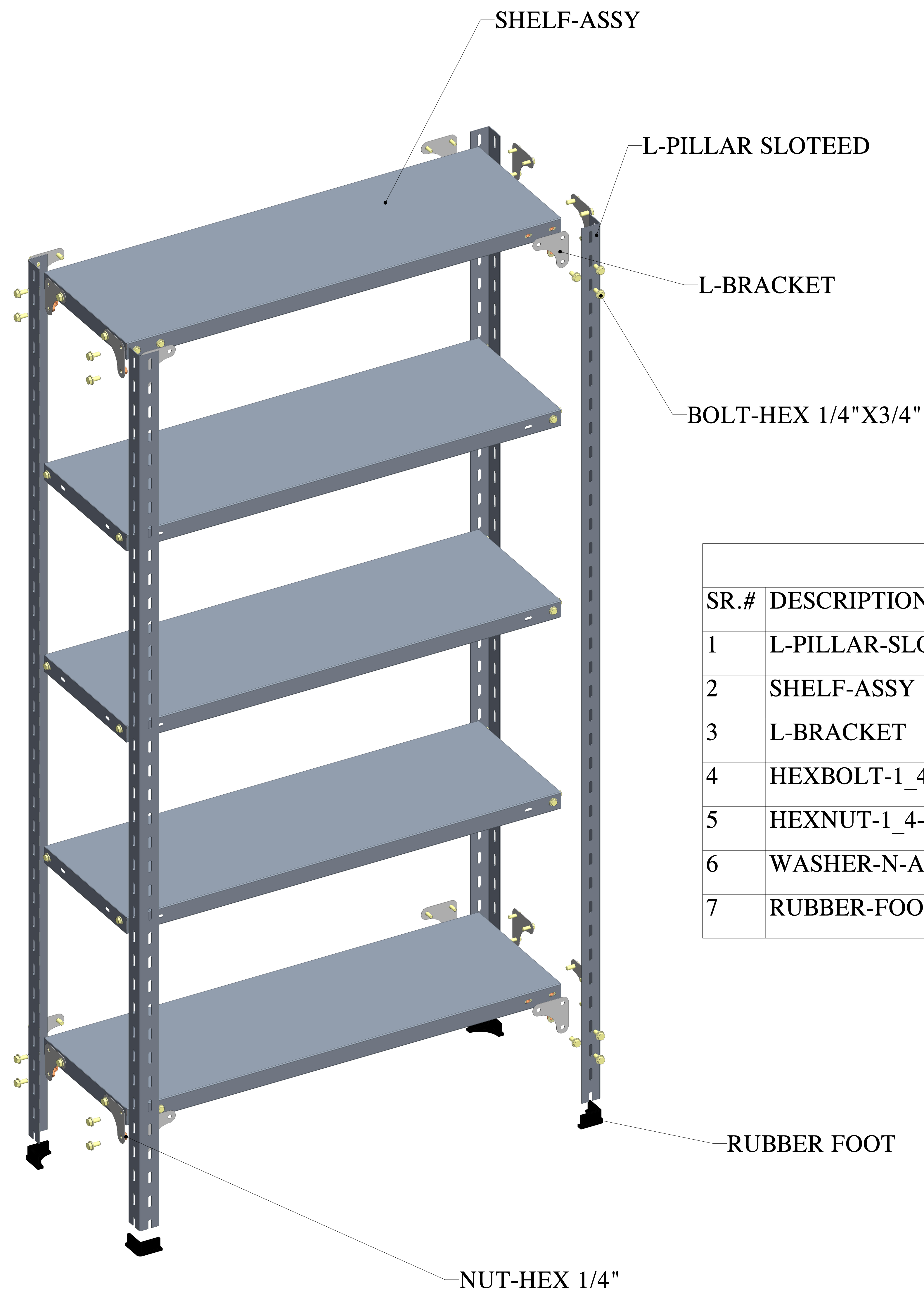
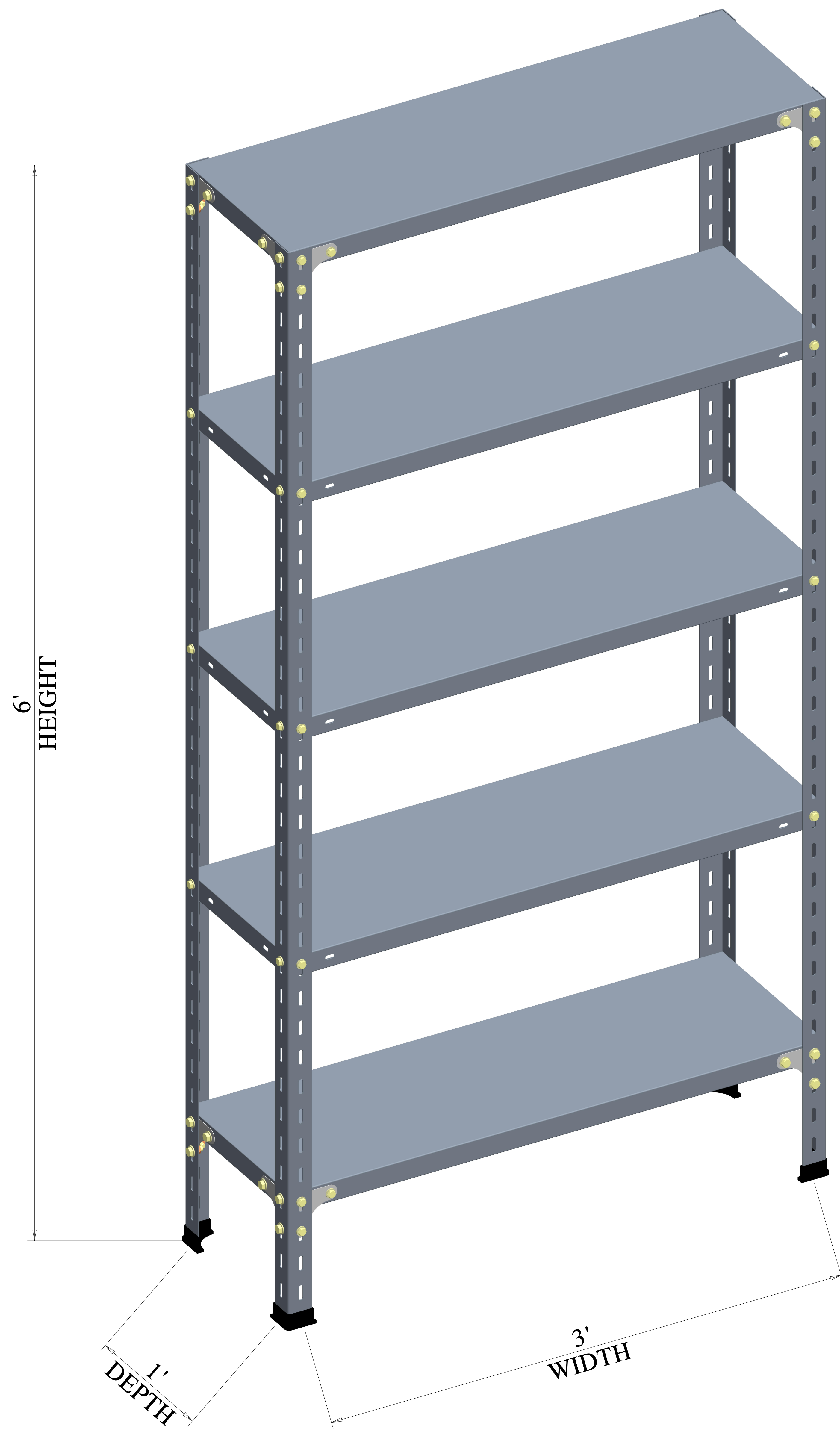


3824 ,STREET NIRA, 2ND INDUSTRIAL CITY,
SEC 6978 RIYADH 14338
SAUDI ARABIA +966 11 474 8635

DESIGNED BY: FAZ
DRAWN BY: HMY
CHECKED BY: MAZ
APPROVED BY: MJI

CLIENT:

DRAWING TITLE:	PAPER SIZE	SHEET NO.
OPEN SHELF RACKS	A0	1 OF 2
DRAWING NO.:	REV. NO.	SCALE:
HDWG-OSR-02-00	00	NTS
		DATE: 17-12-2023



BILL OF QUANTITY				
SR.#	DESCRIPTION	LENGTH	WIDTH	QTY.
1	L-PILLAR-SLOTTED	72"		4
2	SHELF-ASSY	36"	12"	5
3	L-BRACKET	3"	3"	16
4	HEXBOLT-1_4-20X0_75	3/4"		72
5	HEXNUT-1_4-20			72
6	WASHER-N-A-1_4			144
7	RUBBER-FOOT-01			4

NOTE: ALL DIMENSION ARE IN FEET
ALL SHARPE EDGE R-2 FILLET

COATING TYPE	RACK DEPTH	RACK WIDTH	RACK HEIGHT	WALL THICKNESS	NO. OF LEVELS	LOAD CAPACITY	FINISH	SUPPLIER:	CLIENT:	
Powder Coating	1' TO 2'	2' TO 4'	6' TO 8'	14 SWG TO 10 SWG	3 TO 6	100 TO 120 KG / LEVEL	1. PILLAR: GREY COLOR 2. BEAM: NOT APPLICABLE 3. SHELF: GALVANIZED	HITECH FENCE AND STEEL FACTORY 3824 ,STREET NIRA, 2ND INDUSTRIAL CITY, SEC 6978 RIYADH 14338 SAUDI ARABIA +966 11 474 8635		
							DESIGNED BY: FAZ DRAWN BY: HMY CHECKED BY: MAZ APPROVED BY: MJI			DRAWING TITLE: OPEN SHELF RACKS DRAWING NO.: HDWG-OSR-02-00